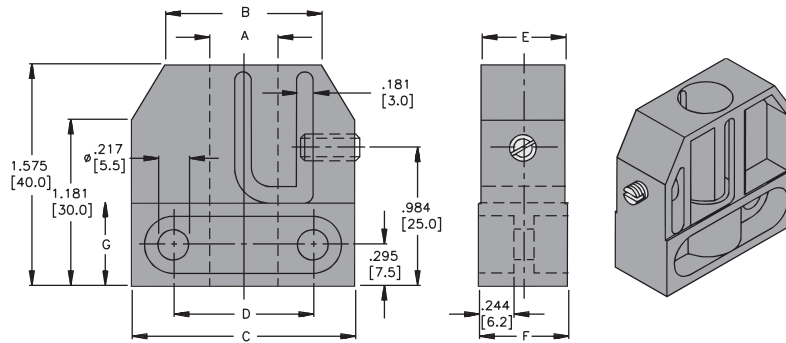


Mounting Clamps

Part Number	ID Number	Barrel Diameter	Dimensions						
			A	B	C	D	E	F	G
BS-12	M6947000	12 mm	0.48 [12.2]	1.10 [28.0]	1.57 [40.0]	0.98 [25.0]	0.59 [15.0]	0.63 [16.0]	0.59 [15.0]
BS-18	M6947100	18 mm	0.72 [18.2]	1.30 [33.0]	1.77 [45.0]	1.18 [30.0]	0.83 [21.0]	0.87 [22.0]	0.59 [15.0]

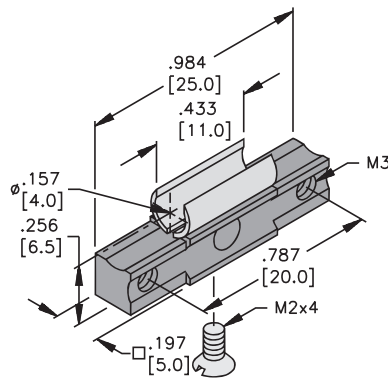
Material: PA 66-GF  
Inches [mm]



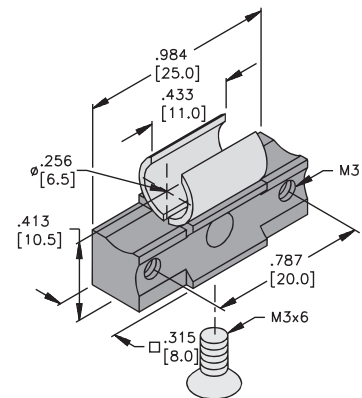
For use with 12 and 18 mm threaded barrel sensors.

Part Number	ID Number	Barrel Diameter
BS 540	S6947500	4.0 mm
BS 865	S6947600	6.5 mm

Block Material: Aluminum  
Sleeve Material: Steel  
Inches [mm]



BS-540



BS-865

For use with H Barrel **picoprox**® sensors.